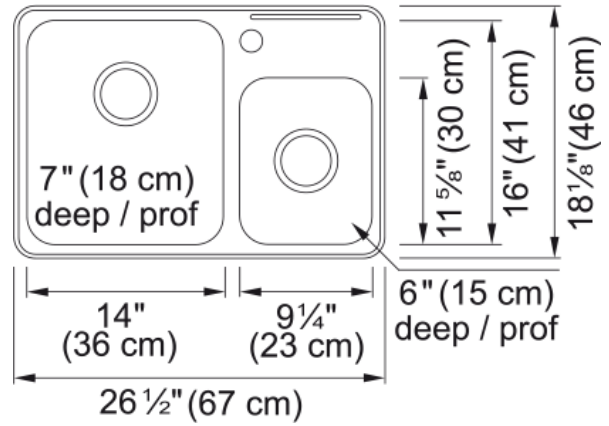


Steel Queen Drop In Sink QCMA1826-7-1 | 101.0203.912



Technical Data

Aspect

Sink type	Sink
Type of material	Stainless steel
Number of bowls	1,5
Color	Steel
Surface finish	High gloss

Product Dimensions

Exterior size: right to left	26.378
Exterior size: front to back	18.11
Large bowl size: right to left	14.173
Large bowl size: front to back	16.142
Large bowl: depth	7.087
Small bowl size: right to left	9.055
Small bowl size: front to back	11.811
Small bowl: depth	5.906

Installation

Minimum cabinet size	30"
----------------------	-----

Product specifications

Installation type	Topmount / drop in
Drain hole	3 1/2"
Position of drainer	No drainer

Product identification

Product brand	Kindred
Collection	Steel Queen
Certified by	CSA

Features

Drainers number	No drainer
Product reversibility	No

Faucet ledge	Yes
Strainer assembly included	Yes
Strainer assembly type	Manual
Overflow	No
Number of faucet holes	1
Soap dispenser hole	No