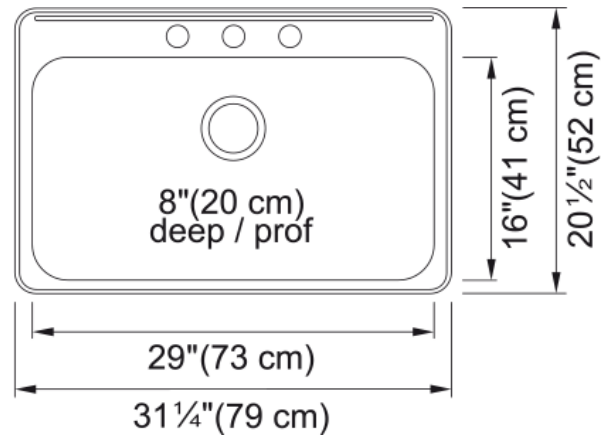


Steel Queen Drop In Sink QSLA2031-8-1 | 101.0202.185



Steel Queen 31.25-in x 20.5-in Drop In Single Bowl 1-Hole Stainless Steel Kitchen Sink. Combining design and durability worthy of the Kindred Crown, Steel Queen sinks have been a homeowner's favorite for years. Widely regarded as some of the easiest-to-install sinks, these versatile drop in models are the top choice of many home renovators. The EZ Torque™ fastener system simplifies the installation of your sink by allowing you to drop and drill it into place, securely locking the sink to the countertop. Steel Queen sinks are made from durable 20-gauge stainless steel with a finish that will stand up to hard work, year in and year out.

Aspect

Sink type	Sink
Type of material	Stainless steel
Number of bowls	1
Product color	Steel
Surface finish	High gloss

Product Dimensions

Length (right to left)	31.248
Width (front to back)	20.5
Large bowl size: right to left	29
Large bowl size: front to back	16
Large bowl: depth	7.992

Installation

Minimum cabinet size	33"
----------------------	-----

Product specifications

Installation type	Topmount / drop in
Drain hole	3 1/2"
Position of drainer	No drainer
Active Twist Compatibility	No

Product identification

Brand	Kindred
Collection	Steel Queen
Certified by	CSA

Features

Drainers number	No drainer
Product reversibility	No

Faucet ledge	Yes
Strainer assembly included	Yes
Strainer Assembly	Manual
Overflow	No
Number of faucet holes	1
Soap dispenser hole	No