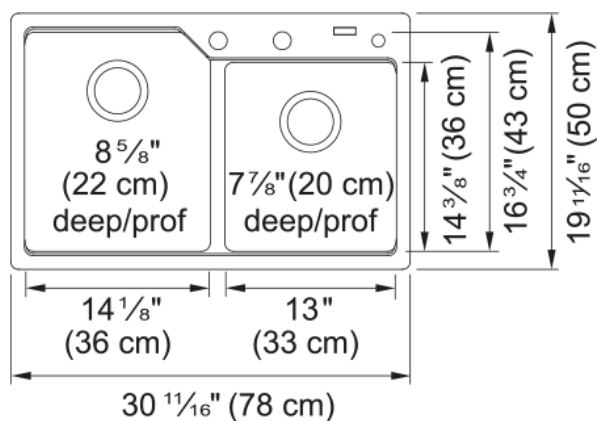


Urban Drop In Sink - MGCM2031-9CHAN | 114.0637.946



Urban Series 31-in x 20-in Drop In Double Bowl Granite Kitchen Sink in Champagne. The natural textures and earth tones of our Urban Granite drop in sink collection will elevate your kitchen to match any contemporary or organic modern inspired style. This sink is made from high-quality quartz and acrylic resin and is robust enough to withstand hot pans straight from the oven. An integrated accessory rail allows you to slide custom-fit accessories across the sink for efficient food prep and clean-up. Custom-fit accessories sold separately

Aspect

Sink type	Sink
Type of material	Fragranite
Number of bowls	2
Product color	Champagne
Surface finish	None

Product Dimensions

Length (right to left)	30.709
Width (front to back)	19.685
Large bowl size: right to left	14.134
Large bowl size: front to back	16.732
Large bowl: depth	8.661
Small bowl size: right to left	13.031
Small bowl size: front to back	14.37
Small bowl: depth	7.874

Installation

Minimum cabinet size	33"
----------------------	-----

Product specifications

Installation type	Topmount / drop in
Drain hole	3 1/2"
Position of drainer	No drainer
Active Twist Compatibility	No

Product identification

Brand	KINDRED
Collection	Urban
Certified by	CUPC

Features

Drainers number	No drainer
Product reversibility	No
Faucet ledge	Yes
Strainer assembly included	No
Strainer Assembly	No waste kit
Overflow	No
Number of faucet holes	2 - pre-scored
Soap dispenser hole	Yes - pre-scored