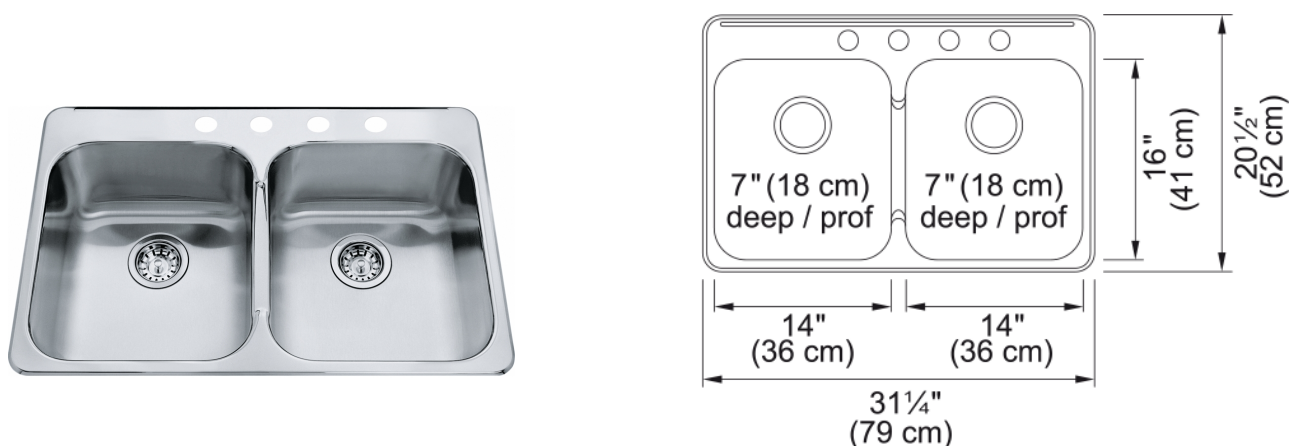


Steel Queen Drop In Sink - QDL2031-7-4 | 101.0045.178



Steel Queen 31.25-in x 20.5-in Drop In Double Bowl 4-Hole Stainless Steel Kitchen Sink. Combining design and durability worthy of the Kindred Crown, Steel Queen sinks have been a homeowner's favorite for years. Widely regarded as some of the easiest-to-install sinks, these versatile drop in models are the top choice of many home renovators. The EZ Torque™ fastener system simplifies the installation of your sink by allowing you to drop and drill it into place, securely locking the sink to the countertop. Steel Queen sinks are made from durable 20-gauge stainless steel with a finish that will stand up to hard work, year in and year out.

Aspect

Sink type	Sink
Type of material	Stainless steel
Number of bowls	2
Product color	Steel
Surface finish	Silk

Product Dimensions

Length (right to left)	31.102
Width (front to back)	20.472
Large bowl size: right to left	14.173
Large bowl size: front to back	16.142
Large bowl: depth	7.087
Small bowl size: right to left	14.173
Small bowl size: front to back	16.142
Small bowl: depth	7.087

Installation

Minimum cabinet size	33"
----------------------	-----

Product specifications

Installation type	Topmount / drop in
Drain hole	3 1/2"
Position of drainer	No drainer
Active Twist Compatibility	No

Product identification

Brand	Kindred
Collection	Steel Queen
Certified by	CSA

Features

Drainers number	No drainer
Product reversibility	No
Faucet ledge	Yes
Strainer assembly included	Yes
Strainer Assembly	Manual
Overflow	No
Number of faucet holes	4
Soap dispenser hole	Yes