



# KINDRED

## STEEL QUEEN

### DOUBLE BOWL 20 GAUGE UNDERMOUNT

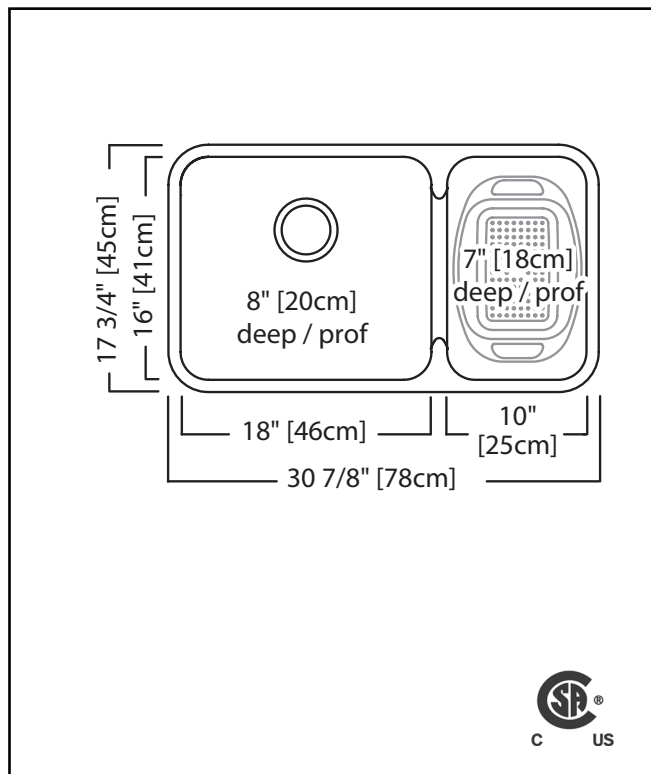
MODEL: QCUA1831R-8N

MODEL: QCUA1831L-8N

- ✓ Resilient finish offers lasting durability
- ✓ Rear off-set drain maximizes the usable bottom surface of the bowl while also creating extra cabinet space beneath the sink
- ✓ Sound dampening system that reduces excess noise from running water and disposal vibration
- ✓ Undermount installation creates a seamless profile to bring sleek style to any kitchen



Steel Queen  
Undermount



### TECHNICAL FEATURES

OVERALL SINK SIZE (OD)	17 3/4" FB x 30 7/8" LR
LARGE BOWL SIZE (ID)	16" FB x 18" LR x 8" DP
SMALL BOWL SIZE (ID)	16" FB x 10" LR x 7" DP
MINIMUM CABINET SIZE	36"
MATERIAL	20 Gauge
CORNER RADIUS	50 mm
STAINLESS STEEL FINISH	Satin Finish Bowls with Silk Finished Rim
DRAIN HOLE LOCATION	Rear
INSTALLATION TYPE	Undermount
SOUND COATING	Undercoating
WEIGHT	16.0 lbs
WARRANTY	Limited Lifetime
COUNTRY OF ORIGIN	Canada

### INCLUDED/OPTIONAL ACCESSORIES

COLANDER	CA1W - INCLUDED
STRAINER BASKET	1135 - OPTIONAL
BOTTOM GRID	BG11S - OPTIONAL
BOTTOM GRID	BG13S - OPTIONAL
DRAINER BASKET	DBR10S - OPTIONAL