



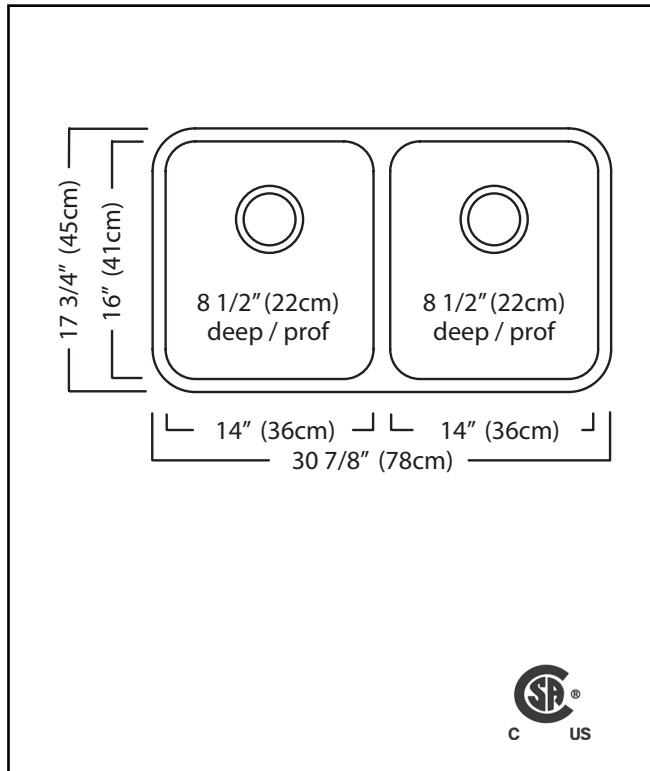
# KINDRED

## REGINOX

### DOUBLE BOWL 18 GAUGE UNDERMOUNT

MODEL: ND1831UA-9

- ✓ Seamless profile brings sleek style to any kitchen
- ✓ Sound dampening system that reduces excess noise from running water and disposal vibration
- ✓ Gently sloping corners make cleaning a breeze
- ✓ Resilient finish offers lasting durability



## TECHNICAL FEATURES

OVERALL SINK SIZE (OD)	17 3/4" FB x 30 7/8" LR
BOWL SIZE (ID)	16" FB x 14" LR x 8 1/2" DP
MINIMUM CABINET SIZE	33"
MATERIAL	18 Gauge
CORNER RADIUS	50 mm
STAINLESS STEEL FINISH	Linear Finish Bowl with Silk Finished Rim
DRAIN HOLE LOCATION	Rear
INSTALLATION TYPE	Undermount
SOUND COATING	Undercoating
WEIGHT	18.8lbs
WARRANTY	Limited Lifetime
COUNTRY OF ORIGIN	Canada

## INCLUDED / OPTIONAL ACCESSORIES

STRAINER BASKET	1135 - INCLUDED
BOTTOM GRID	BG10S
DRAINER BASKET	DBR10S

Reginox  
Undermount